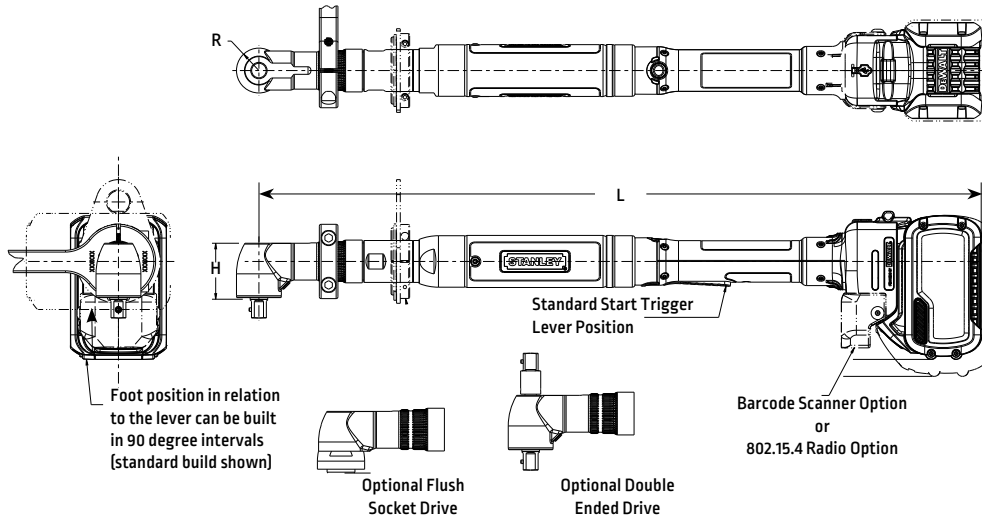


Angle Head Tools

2.8 to 95 Nm



Reaction Components	Part No.
Reaction Bar, Steel (<300 Nm)	20K100200
Reaction Bar, Steel (>300 Nm)	20K100202
Base Mount Bracket	20K100600
Mounting Flange	20K100300

Handle Options	Part No.
Barcode Scanner	20H106201
Zigbee Radio	20H106203

B33 / B44 Batteries	Part No.
60V MAX/ 2AH Battery	21R209203
60V MAX/ 3AH Battery	21R209204
60V MAX/ 20V MAX Fast Charger	21R209402

Suspension Bails	Part No.
Wire Bail	A3061
Swivel	20K101400

Angle Tool Options

A13 Short Output	Part No.
3/8" Double-Ended, LH Thread	20D121912
3/8" Double-Ended, RH Thread	20D121917
Flush Socket 12mm Max	20D121918
1/4" Square Drive	20D121919
1/4" Quick Change	20D121916
1/4" Magnetic Internal Hex	20D121920

A15 Threaded Output 20D137503	Part No.
3/8" Square Drive	20D138908

A15 Flush Output 20D137501	Part No.
Flush Socket	20D283200

A15 Output Splined 20D137504	Part No.
3/8" Square Drive	20D138908

A15 Splined Flush 20D137505	Part No.
Flush Socket	20D283200

A18 Output	Part No.
3/8" Square Drive	20D136500
3/8" Double-Ended, RH Thread	20D136502
Flush Socket	20D136503

A19 Threaded Output	Part No.
Flush Socket	20D100021

A19 Splined Output	Part No.
Anti-Vibration 1/2" SD	20D100101
Flush Socket	20D100106

1/2" Double-Ended, RH Thread	20D100107
------------------------------	-----------

A22A Output	Part No.
1/2" Square Drive	20D100305
Flush Socket	20D100309
1/2" Double-Ended, RH Thread	20D100326

Model	Rated Speed		Max Torque		"R" Side to Center		"H" Head Height		"L" Length*		Weight w/ Battery*		Weight w/o Battery		Output	
	RPM	Nm	lb ft	mm	in	mm	in	mm	in	kg	lb	kg	lb	Standard	Options	
B33LA13-14	1698	14	10.3	13	0.5	33.2	1.3	561.7	22.1	2.77	6.1	1.72	3.8	3/8" SD	1/4" SD or 1/4" QC	
B33LA13-18	1372	18	13.3	13	0.5	33.2	1.3	561.7	22.1	2.77	6.1	1.72	3.8	3/8" SD	1/4" SD or 1/4" QC	
B33LA15-25	959	25	18.5	15	0.59	39.9	1.57	576.8	22.7	2.99	6.6	1.95	4.3	3/8" SD		
B33LA15-40	525	40	29.5	15	0.59	39.9	1.57	592	23.3	3.04	6.7	2.0	4.4	3/8" SD		
B33LA18-48	455	48	35.4	18	0.71	39.9	1.57	587.5	23.1	3.13	6.9	2.09	4.6	3/8" SD		
B33LA19-55	439	55	40.6	19	0.75	47.8	1.9	617	24.3	3.36	7.4	2.31	5.1	1/2" SD		
B33LA19-70	356	70	51.6	19	0.75	47.8	1.9	677.5	26.7	3.99	8.8	2.95	6.5	1/2" SD		
B33LA22A-95	237	95	70	22	0.87	47.9	1.9	685.2	27.0	4.17	9.2	3.13	6.9	1/2" SD		

Total vibration emission value: <2.5 m/sec² (ISO 28927-2:2009); Sound pressure level at work station LpA (ref 20µPa) is <70dB(A) (ISO 15744-2002).

*Dimensions and weights are with the standard 60V Max/2AH Battery